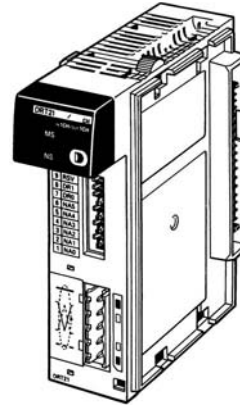


DeviceNet I/O Link Unit CQM1-DRT21

The DeviceNet I/O Link Unit is a DeviceNet slave that conforms to the multivender DeviceNet standards. DeviceNet I/O Link Units can be used to connect one or more CQM1H PLCs to a DeviceNet Master.



Performance Specifications

Communications power supply voltage	11 to 25 V DC supplied through communications connector
Current consumption	Communications power supply:40 mA max. at 24 V DC Internal circuit power supply:80 mA max. at 5 V DC
Number of I/O points	16 inputs and 16 outputs (32 in total)
Number of occupied words	1 input word and 1 output word (2 words in total)
Weight	185 g max.

Communications Specifications (Conforming to DeviceNet Standards)

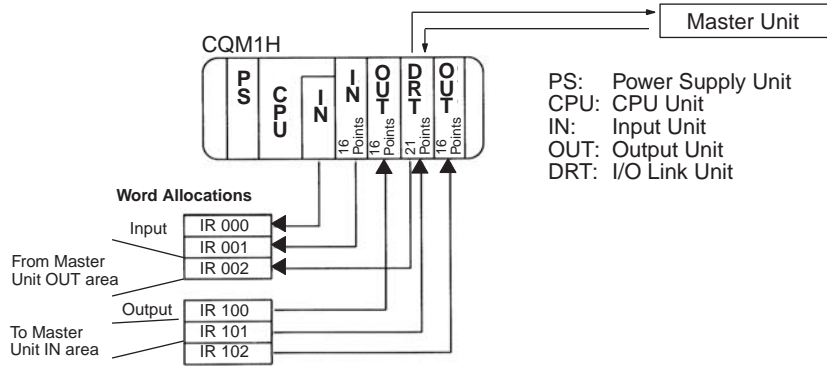
Connection method	Multi-drop, T-type bifurcation (both require external terminating resistor)			
Baud rate	500, 250, or 125 kbps (selectable with a switch)			
Communications cycle time	9.3 ms with 16 Input Slaves (16 inputs) and 16 Output Slaves (16 outputs) at a speed of 500 kbps.			
Cable	Dedicated 5-conductor cable (with two signal wires, two power wires, and a shield wire)			
Communications distance	Baud rate	Max. network length (see note 1)	Branch line length	Total branch line length
	500K bps	100 m max. (see note 2)	6 m max.	39 m max.
	250K bps	250 m max. (see note 2)	6 m max.	78 m max.
	125K bps	500 m max. (see note 2)	6 m max.	156 m max.
Max. number of connectable nodes	CVM1 or CV Series: 64 nodes, C200HX/HG/HE: 50 nodes, C200HS: 32 nodes			
Error control	CRC errors, node address duplication, scan line checks			

- Note:** 1. The maximum network length refers to the distance between two nodes farthest from each other.
2. The communications distance will be 100 m or less if a thin dedicated cable is used for the trunk line.

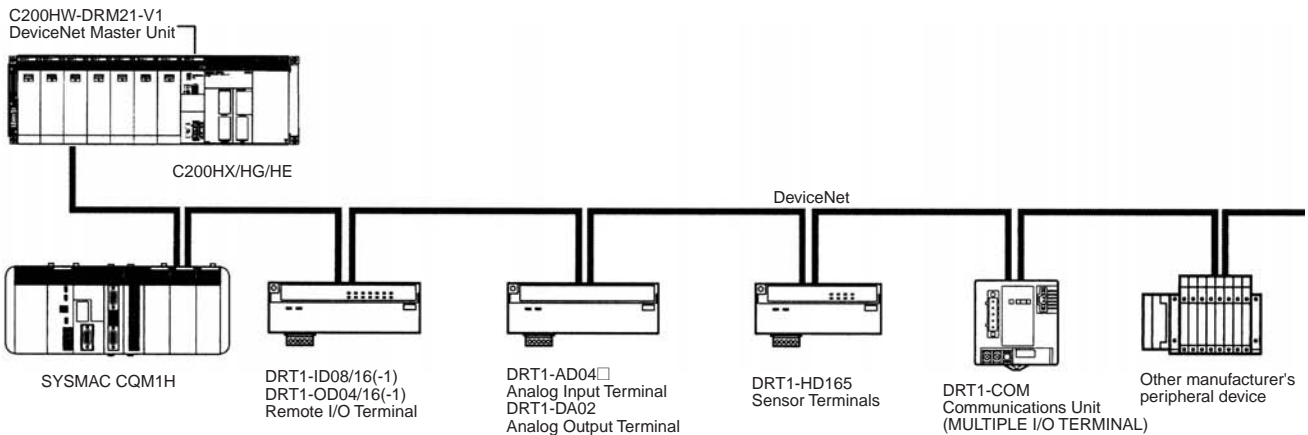
Words Allocated by CQM1H Slaves

The CQM1H treats the I/O Link Unit as a single I/O Unit that has one input word and one output word. Words are allocated like I/O Units (i.e., input words from IR 001 and output words from IR 100 in order of the Units) beginning with the leftmost Unit.

Allocation Example



System Configuration Example



Note: For details on DeviceNet, refer to the DeviceNet catalog (Catalog number: Q102-E1-□)